

MINIMUM SPACE REQUIREMENTS FOR ENCLOSED PLUMBING FIXTURE SUPPORTS

This chart is for Architects, Plumbing Engineers, Contractors and others who specify enclosed wall supports for plumbing fixtures.

The specific purpose is to insure that specifiers provide sufficient wall space to properly install and conceal the types of supports shown.

All dimensions shown are minimum and can be increased to accommodate required variations or accessories.

Minimums can vary by manufacturer and model. Please reference specific manufacturer model information for actual requirements

The types of fixture supports shown are detailed in ANSI A112.6.1M.



The Plumbing and Drainage Institute

800 Turnpike~ Street ~Suite 300~ North Andover, MA 01845

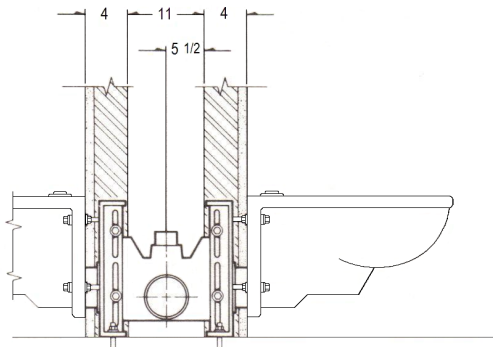
Phone: 800-589-8956 ~ 978-557-0720

Web: www.PDIonline.org ~ E-Mail: pdi@PDIonline.org

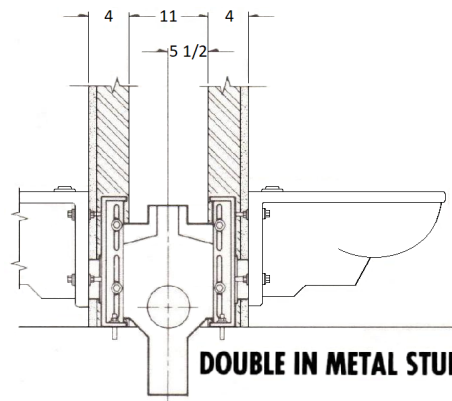
MINIMUM SPACE REQUIREMENTS FOR ENCLOSED PLUMBING FIXTURE SUPPORTS

Wall Mounted Horizontal Adjustable Carriers

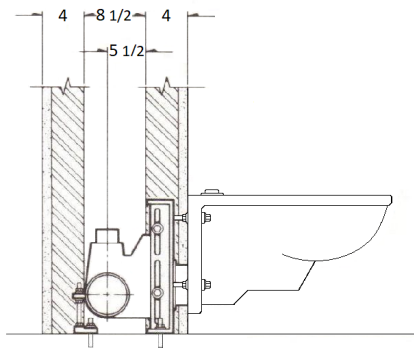
Wall Mounted Vertical Adjustable Carriers



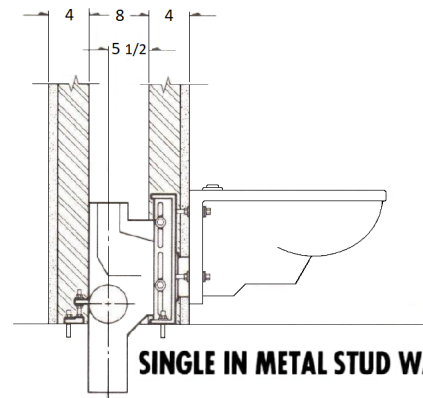
DOUBLE IN METAL STUD WALL



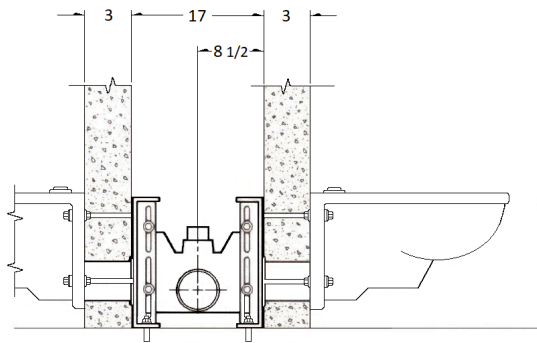
DOUBLE IN METAL STUD WALL



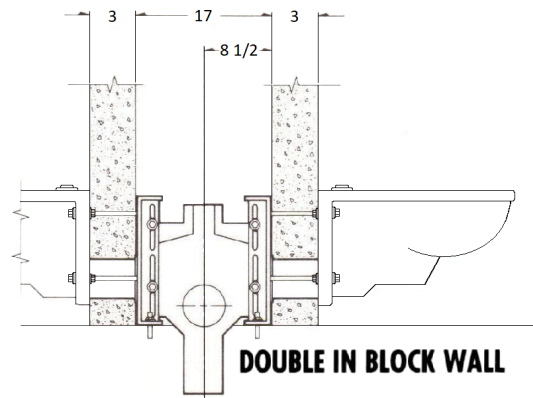
SINGLE IN METAL STUD WALL



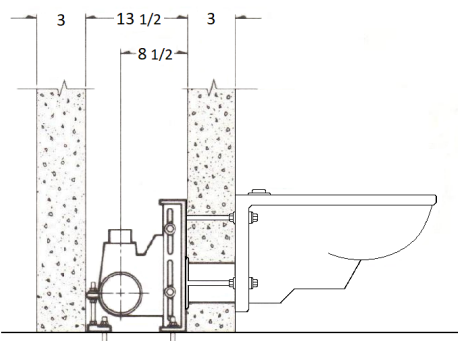
SINGLE IN METAL STUD WALL



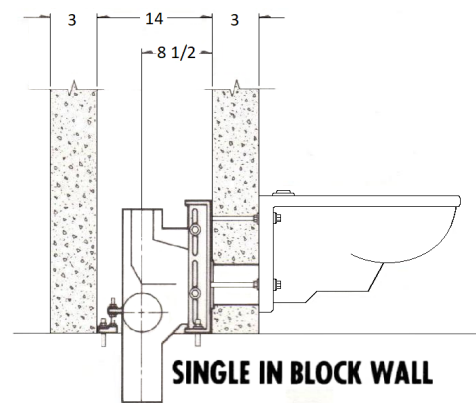
DOUBLE IN BLOCK WALL



DOUBLE IN BLOCK WALL



SINGLE IN BLOCK WALL

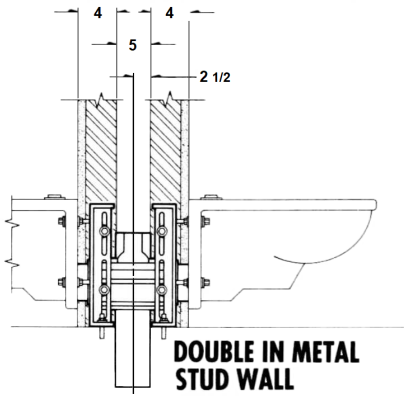


SINGLE IN BLOCK WALL

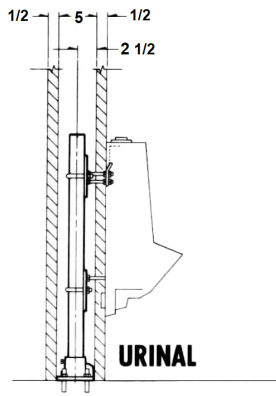
Vertical Fixed Carriers

Hanger Plate Carriers

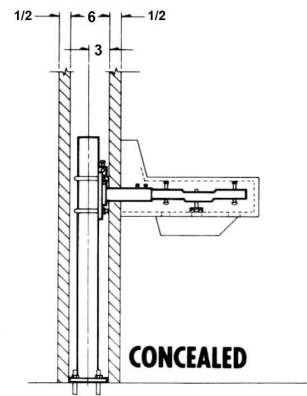
Arm Lavatory Carriers



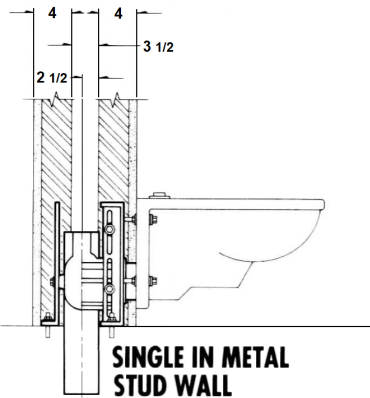
DOUBLE IN METAL STUD WALL



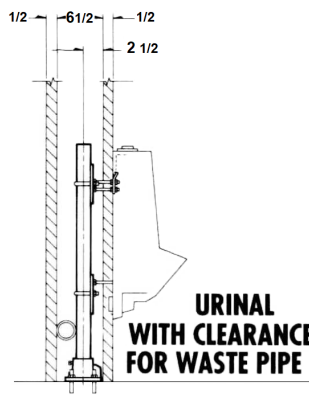
URINAL



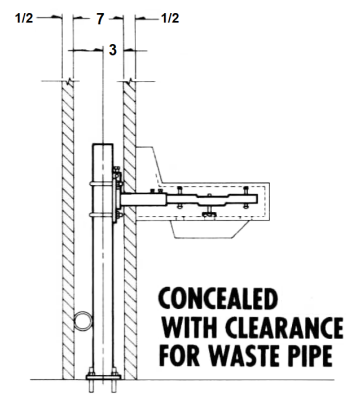
CONCEALED



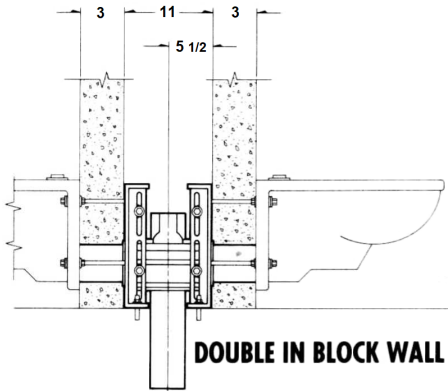
SINGLE IN METAL STUD WALL



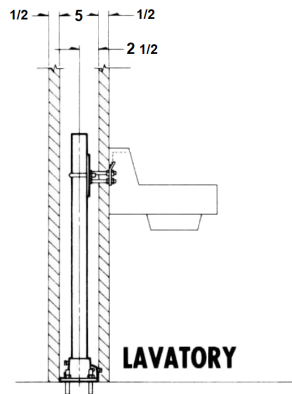
URINAL WITH CLEARANCE FOR WASTE PIPE



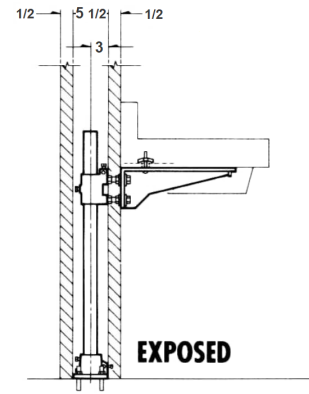
CONCEALED WITH CLEARANCE FOR WASTE PIPE



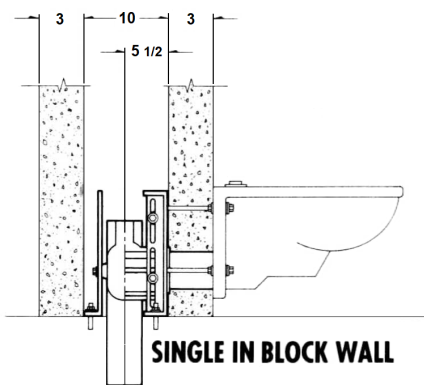
DOUBLE IN BLOCK WALL



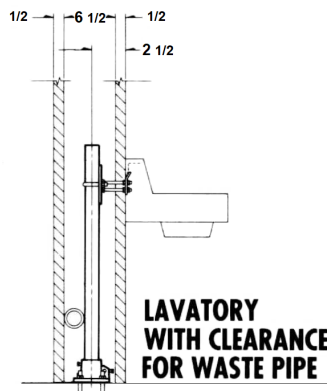
LAVATORY



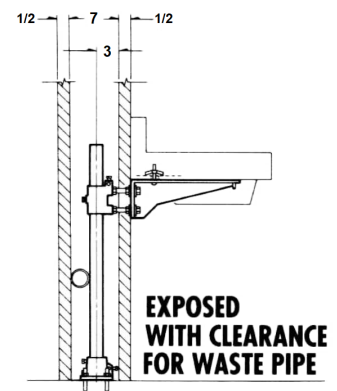
EXPOSED



SINGLE IN BLOCK WALL

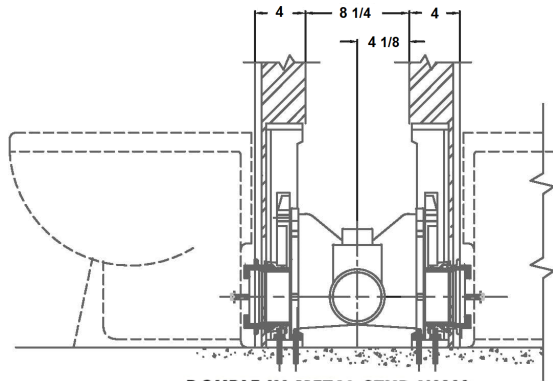


LAVATORY WITH CLEARANCE FOR WASTE PIPE

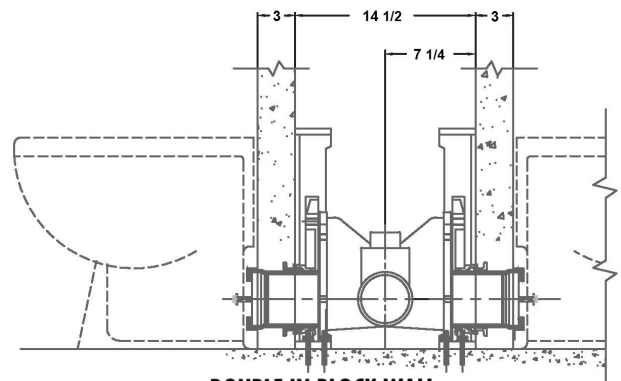


EXPOSED WITH CLEARANCE FOR WASTE PIPE

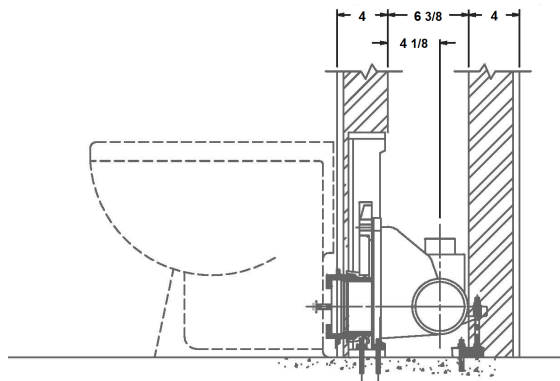
Floor Mounted Back Outlet Horizontal Carriers



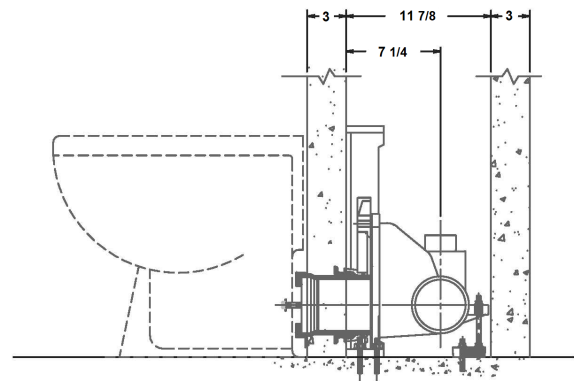
DOUBLE IN METAL STUD WALL



DOUBLE IN BLOCK WALL



SINGLE IN METAL STUD WALL



SINGLE IN BLOCK WALL



**AN ASSOCIATION OF MANUFACTURERS
OF PLUMBING AND DRAINAGE EQUIPMENT**

PUBLICATIONS

PDI - WH 201 Water Hammer Arrester Standard

PDI - G 101 Standard - Testing and Rating
Procedure for Grease Interceptors

PDI - G 102 Standard-Testing and Certification for Grease Interceptors
with FOG Sensing and Alarm Devices

PDI Code Guide 302 and Glossary of Industry Terms

Guide To Grease Interceptors ~ Eliminating the Mystery

MEMBER COMPANIES

ASHLAND POLYTRAP
P.O. Box 218
Williston, Ohio 43468

BIO-MICROBICS INC.
16002 West 110th St.
Lenexa, KS 66219

CANPLAS INDUSTRIES, LTD.
500 Veterans Drive, Box 1800
Barrie, Ontario Canada L4M 4V3

FLEXIAL CORPORATION
1483 Gould Drive
Cookeville, TN 38506

HIGHLAND TANK/LOWE ENGINEERING
1510 Stoyston Road
Friedens, PA 15541

JAY R. SMITH MFG., CO.
2781 Gunter Drive East
Montgomery, AL 36109

JOSAM COMPANY
525 W. US Highway 20
Michigan City, IN 46360

MIFAB INC.
1321 West 119th St.
Chicago, IL 60643

ROCKFORD SEPARATORS
5159 28th Ave.
Rockford, IL 61109

THERMACO
646 Greensboro St.
Asheboro, NC 27203

WADE DRAINS
116 Maple St.
Commerce, TX 75428

WATTS WATER TECHNOLOGIES
815 Chestnut St.
North Andover, MA 01845

ZURN GREEN TURTLE
3700 Regency Pkwy, Suite 100
Cary, NC 27518

ZURN INDUSTRIES, INC.
511 W. Freshwater Way
Milwaukee, WI 53204

THE PLUMBING AND DRAINAGE INSTITUTE

800 Turnpike Street ~ Suite 300 ~ North Andover, MA 01845

Telephone: 800-589-8956 ~ 978-557-0720

Web: www.PDIonline.org ~ E-Mail: pdi@PDIonline.org